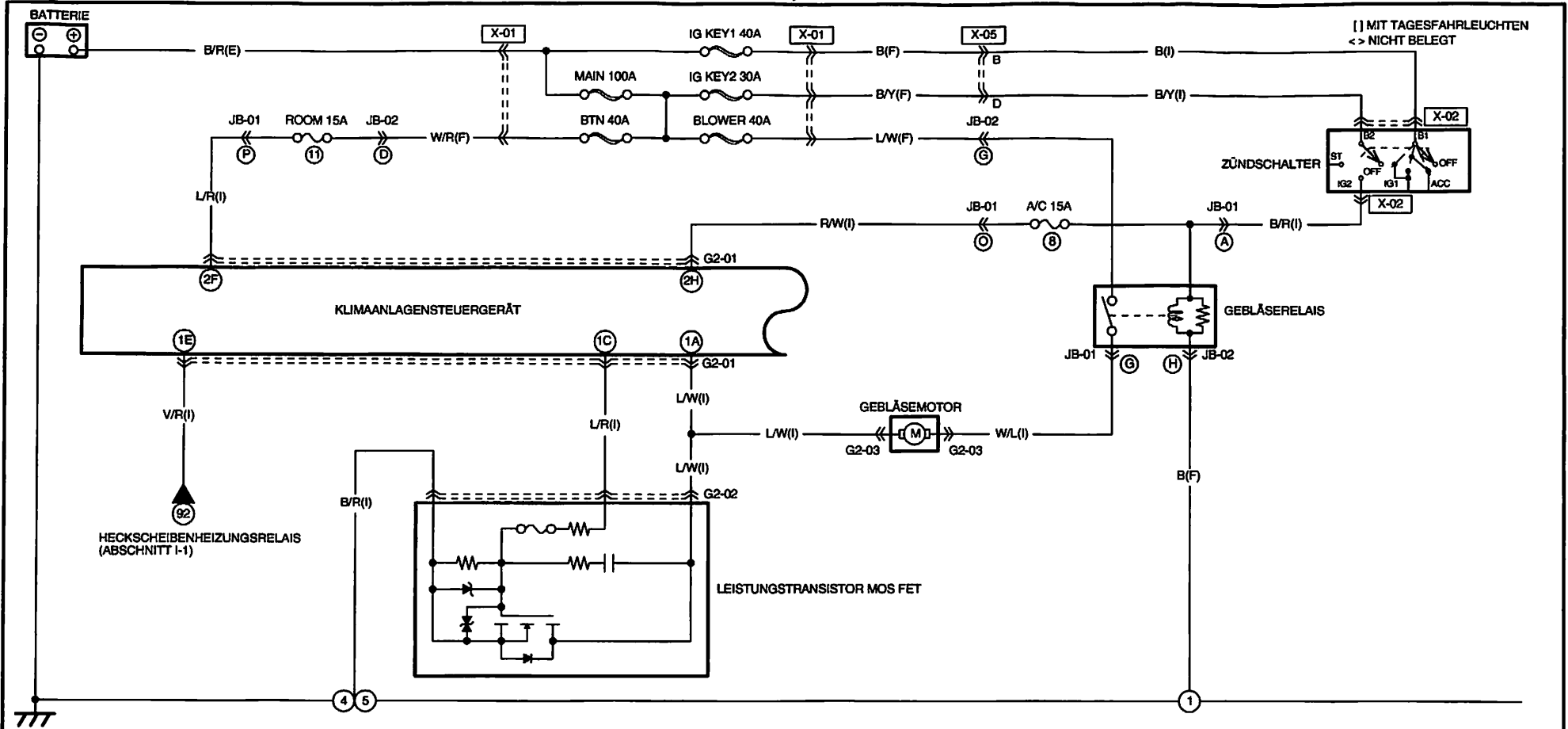


HEIZUNG UND KLIMAANLAGE (AUTOMATISCHE KLIMAANLAGE)

G-2a



118

G2-01 KLIMAANLAGENSTEUERGERÄT(I)

| | | | | | | | | | | | |
|-----|-----|------|-----|------|-----|------|-----|----|-----|-----|-----|
| 1W | 1U | 1S | 1O | 1Q | 1M | 1K | 1J | 1G | 1E | 1C | 1A |
| W/R | W/L | LG/R | L/B | G/W | Y/B | BR/Y | Y/G | * | V/R | L/R | L/W |
| 1X | 1V | 1Y | 1R | 1P | 1N | 1L | 1J | 1H | 1F | 1D | 1B |
| L/O | * | B | * | GY/B | * | B/R | B/L | * | V/Y | * | V |

| | | | | | |
|----|-----|-----|-----|-----|-----|
| 2K | 2J | 2G | 2E | 2C | 2A |
| LG | P/B | B/W | L | B/R | B/Y |
| 2L | 2J | 2H | 2F | 2D | 2B |
| B | * | R/W | L/R | Y | |

LG/R [B/LG]

G2-02 LEISTUNGSTRANSISTOR MOS FET(I)

| | | |
|-----|---|-----|
| L/R | * | B/R |
| * | * | L/W |

G2-03 GEBLÄSEMOTOR(I)

| |
|-----|
| W/L |
| L/W |